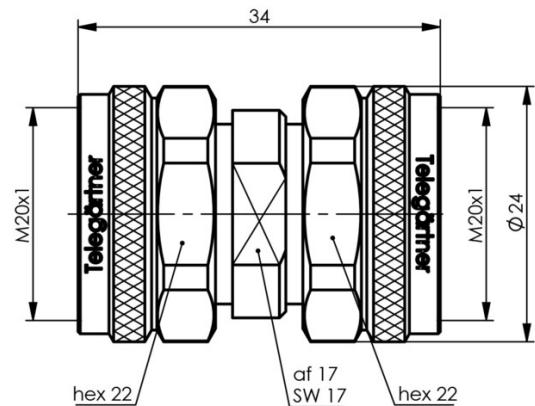


order number: J01442C0000

4.3-10 adaptor, m-m



Technical Attributes	
Remarks	m-m
Type	Screw-Screw Type

Description of the Series/Product Category

Notice: The following information refer to the series/product category as a whole. Please see the specific datasheet for specific technical information of a particular product.

The new, compact, installation-friendly 4.3-10 RF connectors have been specially developed to meet the ever increasing demands in mobile radio communication applications. The small size and low weight of these connectors do justice to the miniaturization of mobile radio network components. Despite their size, the connectors guarantee excellent return loss and passive intermodulation performance (PIM) levels. In addition, the new connector ser...

Mechanical Characteristics	
Durability (Steckungen)	≥ 100
Recommended coupling torque	5 Nm
Material: spring contacts	CuBe2, Copper Alloy
Material: outer conductor	CuZn39Pb3
Material: other metal parts	CuZn39Pb3
Material: insulators	PTFE
Material: gaskets	Silicone

Finish: Inner conductor	Cu2Ag5
Finish: Outer conductor	CuSnZn3, Ag2CuSnZn0.5 (Optargen), Cu2Ag3
Finish: Other metal parts	CuSnZn3 (Telealloy), Ni

Climatic Characteristics	
Climatic category acc. to IEC 60068 - 1	55/155/56

Electrical Characteristics	
Contact resistance inner conductor	$\leq 1 \text{ m}\Omega$
Contact resistance outer conductor	$\leq 1 \text{ m}\Omega$
Insulation resistance	$\geq 5 \text{ G}\Omega$
Voltage proof	2.5 kVeff @ 50 Hz
Impedance	50 Ω
Passive intermodulation	-166 dBc @ 2 x 43 dBm
Return loss	38 dB/1 GHz bzw. 32 dB/2.5 GHz
Working voltage	$\leq 1.8 \text{ kVeff}/50 \text{ Hz}$
Power	$\leq 500 \text{ W} / 2 \text{ GHz}$
Frequency range up to	6 GHz

Standards	
IEC 61 169-54	